

SELECT DESIRED GAS:

PROPANE

SELECT DESIRED FINISH:

316 MARINE GRADE STAINLESS STEEL

BLACK POWDER COAT

BRONZE POWDER COAT

CUSTOM POWDER COAT
SPECIFY: _____

TECHNICAL SPECIFICATIONS:

- HIGH FIRE - 46,000BTU/HR
- GAS MANIFOLD PRESSURE – 9.8" W.C.
- MAXIMUM GAS SUPPLY PRESSURE – 250PSI
- 140LBS WITHOUT PROPANE TANK
- ONE PIECE HEAVY DUTY REFLECTOR
- 1 X AA BATTERY POWERED IGNITION
- PILOT WITH THERMOCOUPLE
- ELECTRONIC TILT SAFETY SWITCH TO 15 DEGREES
- REGULATOR PROVIDED WITH QUICK CONNECT
- WHEEL KIT PROVIDED WITH BALL BEARING WHEELS
- PROPANE TANK NOT INCLUDED
- OUTDOOR ONLY INSTALLATION

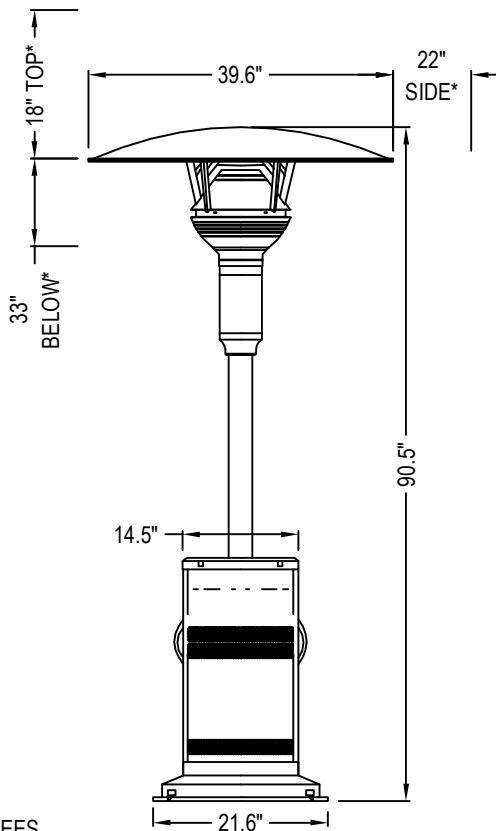
WARRANTY:

- 3 YEARS ON 316 STAINLESS STEEL EMITTER
- 1 YEAR ON ALL OTHER PARTS

NOTES:

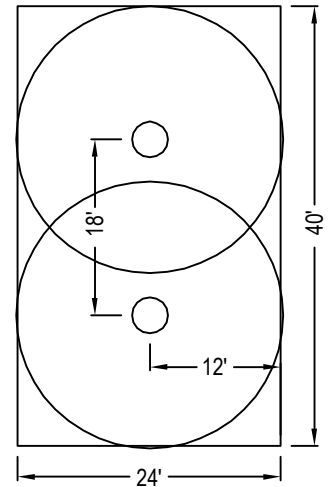
1. INSTALLATION TO BE COMPLETED IN ACCORDANCE WITH MANUFACTURER'S SPECIFICATIONS.
2. DO NOT SCALE DRAWING.
3. THIS DRAWING IS INTENDED FOR USE BY ARCHITECTS, ENGINEERS, CONTRACTORS, CONSULTANTS AND DESIGN PROFESSIONALS FOR PLANNING PURPOSES ONLY. THIS DRAWING MAY NOT BE USED FOR CONSTRUCTION.
4. ALL INFORMATION CONTAINED HEREIN WAS CURRENT AT THE TIME OF DEVELOPMENT BUT MUST BE REVIEWED AND APPROVED BY THE PRODUCT MANUFACTURER TO BE CONSIDERED ACCURATE.
5. CONTRACTOR'S NOTE: FOR PRODUCT AND COMPANY INFORMATION VISIT www.CADdetails.com/info AND ENTER REFERENCE NUMBER 5029-004.

EVENGLO PORTABLE SERIES: **MODEL GA201M2**

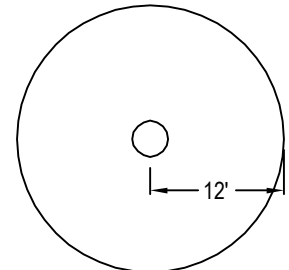


FRONT ELEVATION

*CLEARANCES TO COMBUSTIBLES



TYPICAL COVERAGE
TWO HEATERS



TYPICAL COVERAGE
ONE HEATER